

8LV-320Z/350Z/370Z Series

Configuration	4-stroke, water-cooled diesel engine	
Maximum output at crankshaft	235 kW@3800 rpm	[320 mhp@3800 rpm]
according ISO 8665: 2006	257 kW@3800 rpm	[350 mhp@3800 rpm]
	272 kW@3800 rpm	[370 mhp@3800 rpm]
Displacement	4.46 ltr	[272.24 cu in]
Bore x stroke	86 mm x 96 mm	[3.38 in x 3.78 in]
Cylinders	8 in V-90°	
Combustion system	Direct injection Common Rail System	
Compression ratio	15:8	
Low Idle rpm	550 rpm	
Aspiration	Turbocharged with twin TC	
Electric system	12V	
Alternator	12V - 180A	
Start-assist	Glow-plug system	
Cooling system	Fresh water cooling by centrifugal fresh water pump Sea water cooling by rubber impeller seawater pump	
Lubrication system	Enclosed, forced lubricating system	
Direction of rotation [crankshaft]	Counterclockwise viewed from flywheel side	
Dry weight without gear	435 kg	[959 lbs]
Environmental	EU: RCD	EMC
	US: EPA Tier3	
Engine mounting	Rubber type flexible mounting	

NOTE:

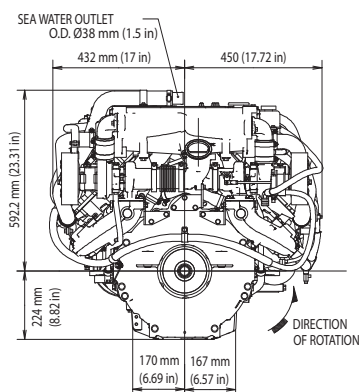
Fuel condition: Density at 15°C = 0.84 g/cm³

Fuel temperature 40°C at the inlet of the fuel injection pump [ISO 8665: 2006]

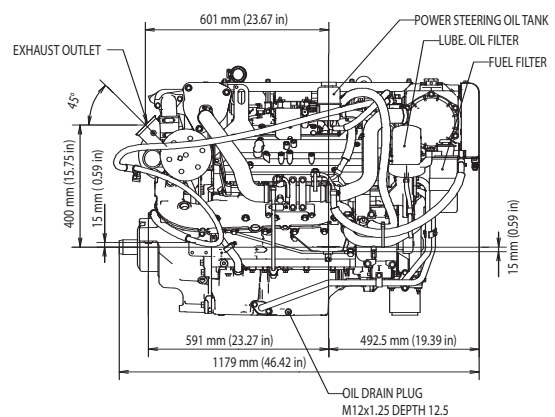
Technical data is according to ISO 8665: 2006/3046-1

DIMENSIONS

Gear view

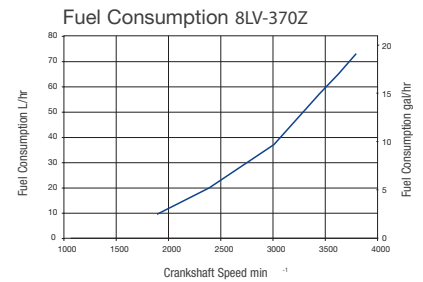
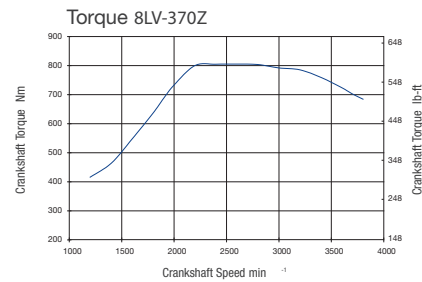
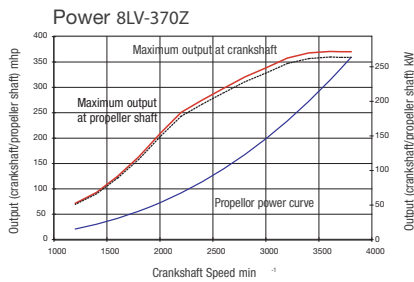
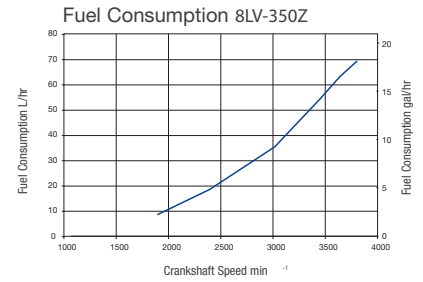
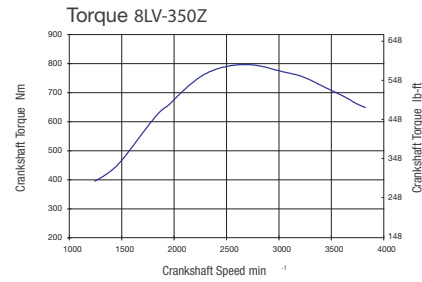
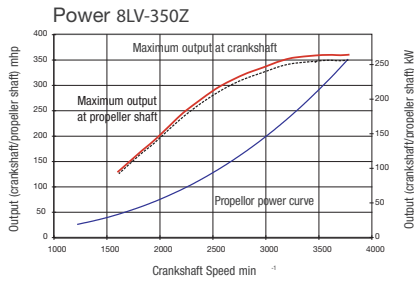
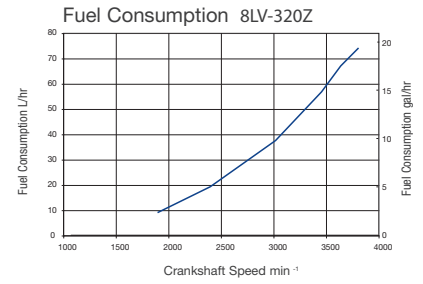
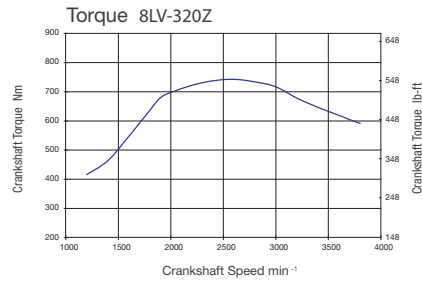
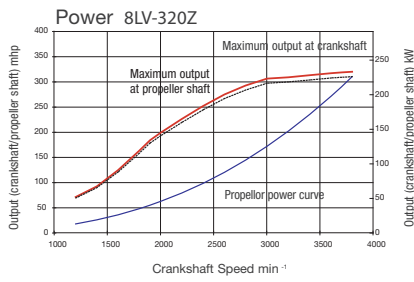


Right side view



8LV-320Z/8LV-370Z/8LV-370Z

PERFORMANCE CURVES



DRIVE SYSTEMS

Model	ZT370 [Steerable Z-drive with dual prop]		
Type	Hydraulic actuated multi-friction disc clutch		
Dry weight with propellers	112 kg [247 lbs]		
Reduction ratio [fwd/asn]	1.65/1.65		1.78/1.78
Propellor speed	2424/2424		2247/2247
Direction of rotation viewed from the stern	Clockwise [rear prop] & Counterclockwise [front prop]		
Lub oil specifications	Quick Silver HPGL		
Dry weight engine with sterndrive	547 kg [1205 lbs]		
Shift control	Mechanical or electro-magnetic		
Trim range	-6° - +10°		
Trailer limit	51°		

CONTROL SYSTEM

- Yanmar CAN-bus control system
- Electronic CAN-bus control-head
- Multi-function colour display
- NMEA2000 or J1939 gauge output
- Second or third station - optional