

4LHA-STP Series

Configuration	4-stroke, vertical, water-cooled diesel engine		
Maximum output at crankshaft	* 177 kW@3300 rpm	[240 mhp@3300 rpm]	
	** 169 kW@3300 rpm	[230 mhp@3300 rpm]	
Displacement	3.455 ltr	[211 cu in]	
Bore x stroke	100 mm x 110 mm	[3.94 in x 4.33 in]	
Cylinders	4 in line		
Combustion system	Direct injection		
Aspiration	Turbocharged with intercooler		
Starting system	Electrical starting 12V		
Alternator	12V - 80A		
Cooling system	Fresh water cooling by centrifugal fresh water pump and rubber impeller seawater pump		
Lubrication system	Enclosed, forced lubricating system		
Direction of rotation [crankshaft]	Counterclockwise viewed from flywheel side		
Dry weight without gear	365 kg	[805 lbs]	
Environmental	EU: RCD	BSO II	EMC
	SOLAS MED 96/98/EC		
Engine mounting	Rubber type flexible mounting		

NOTE:

Fuel condition: Density at 15°C = 0.842 g/cm³; 1 mhp = 1 ps = 0.7355 kW = 0.9863 bhp

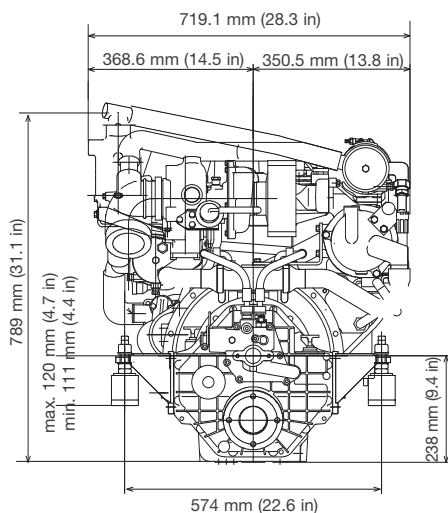
* Fuel temperature 25°C at the inlet of the fuel injection pump [ISO 3046-1]

** Fuel temperature 40°C at the inlet of the fuel injection pump [ISO 8665: 2006]

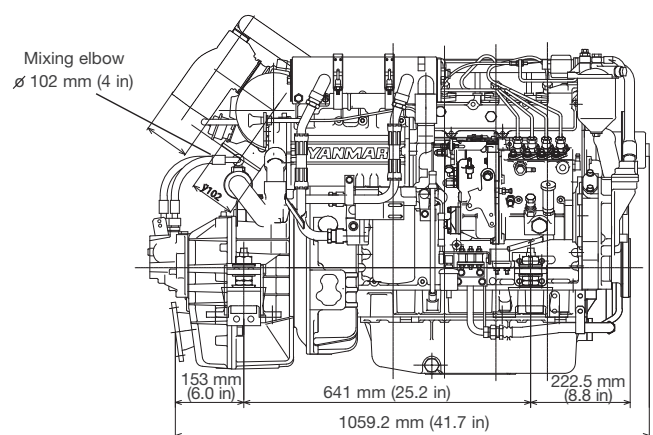
Technical data is according to ISO 8665: 2006/3046-1

DIMENSIONS

Rear view

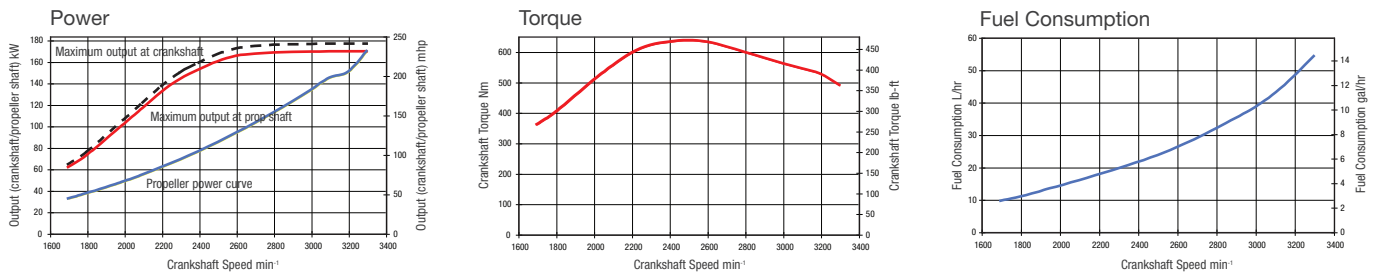


Right side view



4LHA-STP with ZF63A marine gear

PERFORMANCE CURVES (Output is according ISO 8665 - Output includes +/- 3% tolerance)



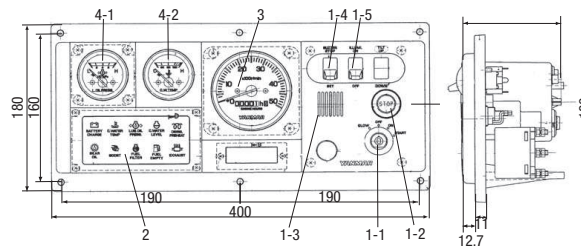
MARINE GEARS*

Model	KMH50A				ZF63A				
Type	8° down hydraulic				8° down hydraulic				
Dry weight	44 kg [97 lbs]				28 kg [62 lbs]				
Reduction ratio [fwd/asn]	1.67/1.67	2.13/2.13	2.43/2.43	1.22/1.22	1.56/1.58	2.04/2.02	2.52/2.54	2.68/2.71	
Propeller speed [fwd/asn]	1976/1976	1549/1549	1358/1358	2714/2716	2111/2085	1620/1636	1308/1301	1230/1218	
Direction of rotation	Clockwise & Counterclockwise				Clockwise & Counterclockwise				
[propeller shaft - fwd]	viewed from flywheel side				viewed from flywheel side				
Dry weight engine and gear/drive	409 kg [902 lbs]				393 kg [866 lbs]				

* Other marine gearboxes and configurations available upon request. Contact your local supplier for more information.

INSTRUMENT PANELS

New C-type Panel



TYPE OF INSTRUMENT PANEL

DIGITAL C-TYPE PANEL

Function

1-Switch unit

- 1-1 Key switch for GLOW/OFF/ON/START [4-position switch]
- 1-2 Engine stop switch
- 1-3 Alarm buzzer [C.W. Temp., L.O. Pressure]
- 1-4 Alarm buzzer stop switch
- 1-5 Illumination switch for meters

- Equipped on panel
- Equipped on panel
- Equipped on panel
- Equipped on panel
- Equipped on panel

2-Alarm lamp unit

- Battery not charging
- C.W. high temperature
- L.O. low pressure
- Boost pressure high [for 4LHA-STP]

- Equipped on panel
- Equipped on panel
- Equipped on panel
- Equipped on panel

3-Tachometer with hour meter

- Equipped on panel

4-Sub meter unit

- 4-1 L.O. pressure meter
- 4-2 C.W. Temperature meter
- 4-3 Boost meter [turbo]

- Equipped on panel
- Equipped on panel
- Not equipped on panel

5-Quartz clock

- Not equipped on panel

ACCESSORIES

Standard Package

- Sensor for various panels
- Exhaust/water mixing elbow [L-type]
- Alternator 12V - 80A

Optional

- Flexible mounts
- High-riser/water mixing elbow [instead of L-elbow]
- New C-type instrument panel
- Dual station Y harness
- Dipstick for opposite side
- Air venting device for cooling water tank

NOTE: All data subject to change without notice. Text and illustrations are not binding.