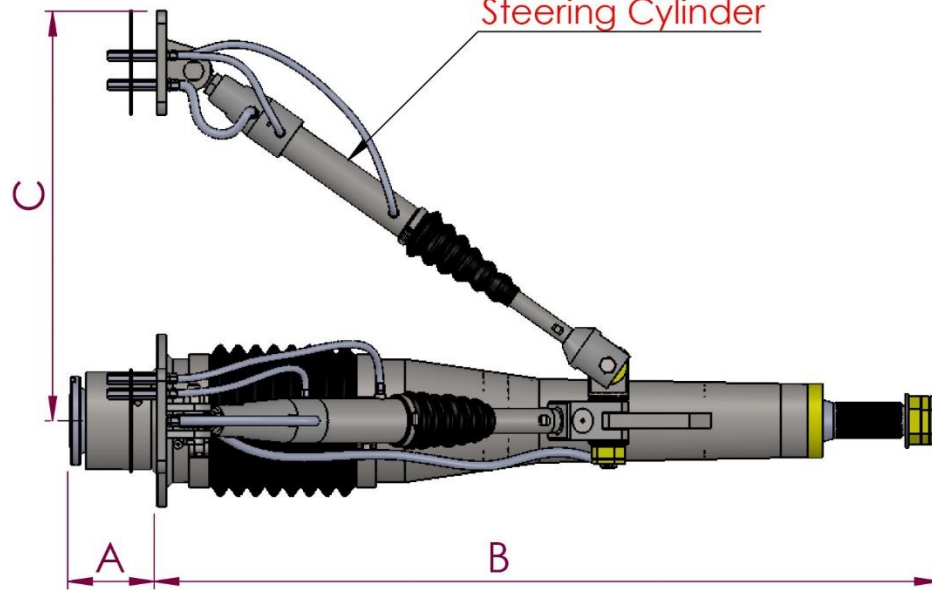


TS 80

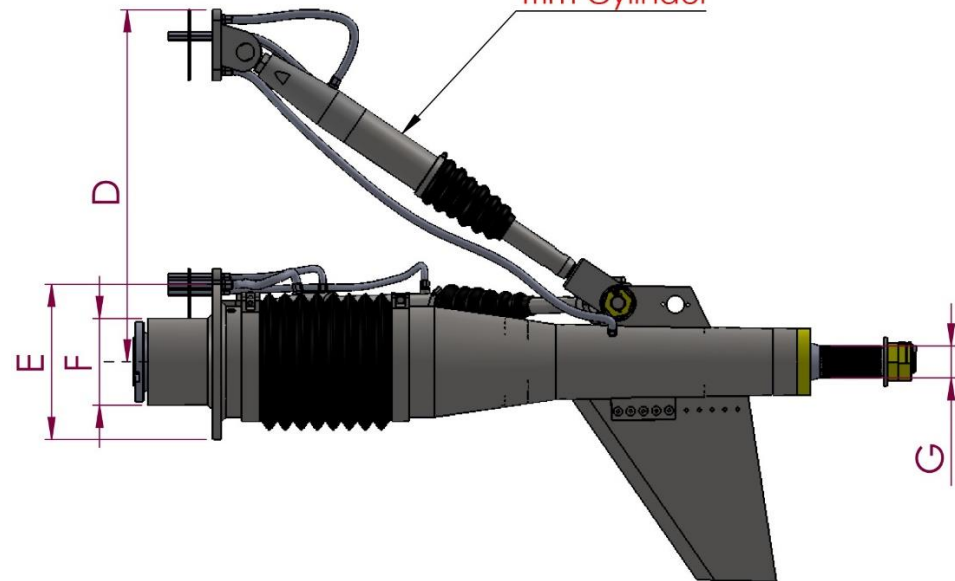
Up View

Steering Cylinder



Side View

Trim Cylinder



Max Torque Input : 11.000Nm

A	175 mm
B	1645 mm
C	830 mm
D	795mm
E	350 mm
F	196 mm
G	Z 33